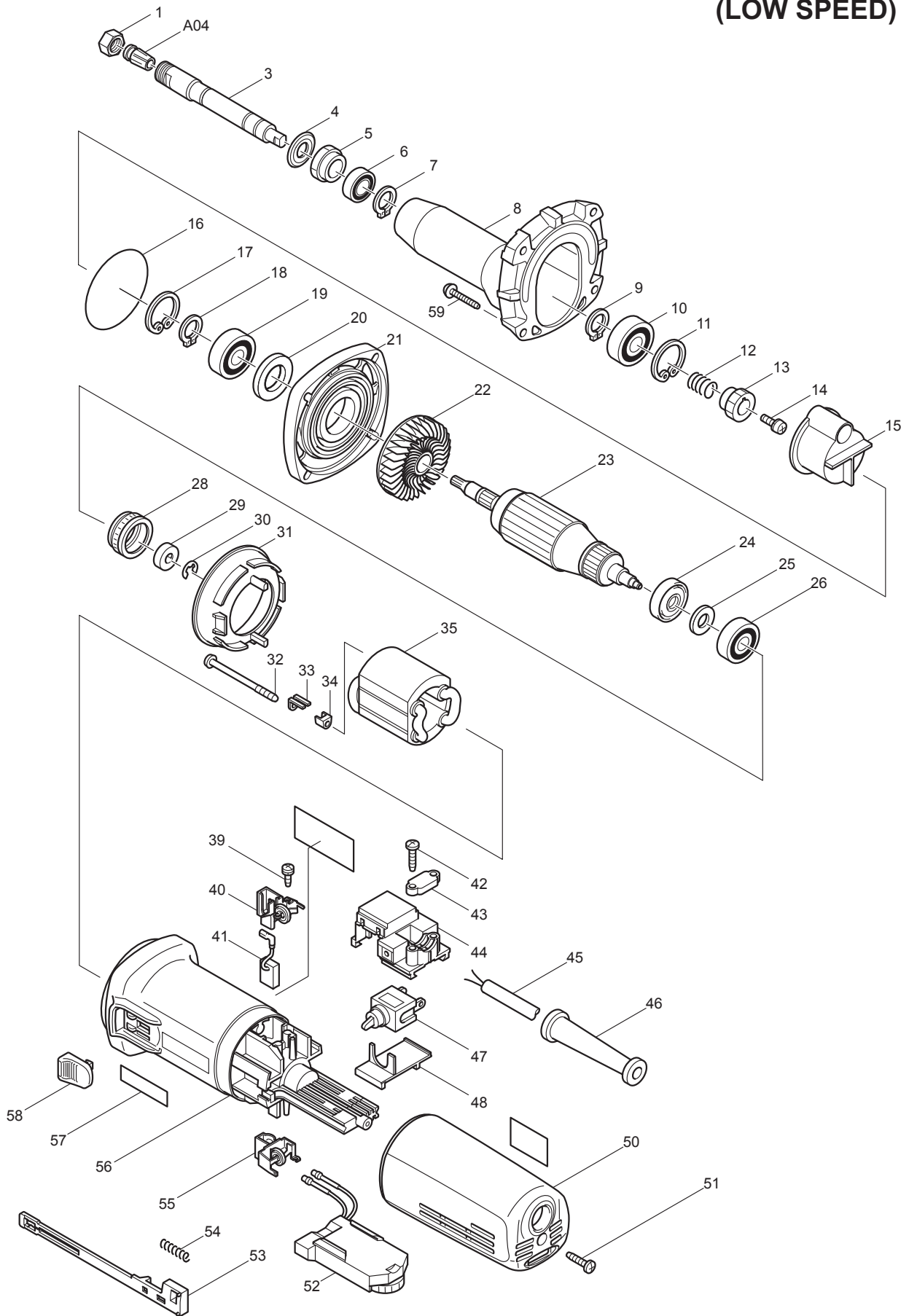




07 - 2010
GD0810C
1/4" DIE GRINDER
(LOW SPEED)



Item No.	Type	Sub	Part No.	Description (*see Service changes on the bottom)	Qty	Unit
1			763645-2	COLLET NUT	1	PC.
3			324042-3	SPINDLE	1	PC.
4			213209-7	OIL SEAL 16	1	PC.
5			285700-5	BEARING RETAINER	1	PC.
6			211141-9	BALL BEARING 6901LLB	1	PC.
7			961052-5	RETAINING RING S-12	1	PC.
8			317369-8	BARREL	1	PC.
9			961052-5	RETAINING RING S-12	1	PC.
10		1	211142-7	BALL BEARING 6001LLB	1	PC.
		2	211148-5	BALL BEARING 6001ZZ	1	PC.
11			962106-1	RETAINING RING R-28	1	PC.
12			233901-9	LOCK SPRING 12	1	PC.
13			226531-3	HELICAL GEAR 25	1	PC.
14			265082-1	PAN HEAD SCREW M4X8	1	PC.
15			417363-1	GEAR COVER	1	PC.
16			213611-4	O RING 46	1	PC.
17			962106-1	RETAINING RING R-28	1	PC.
18			961052-5	RETAINING RING S-12	1	PC.
19		1	211142-7	BALL BEARING 6001LLB	1	PC.
		2	211148-5	BALL BEARING 6001ZZ	1	PC.
20			253084-9	FLAT WASHER 12	1	PC.
21			317367-2	BEARING BOX	1	PC.
22			240036-9	FAN 57	1	PC.
23		1	515196-9	* ARMATURE ASS'Y 115V	1	PC.
		INC.		Item No. 22,24-26		
		2	515211-9	* ARMATURE ASS'Y 115V	1	PC.
		INC.		Item No. 22,24-26		
24			681656-4	INSULATION WASHER	1	PC.
25			253823-7	FLAT WASHER 7	1	PC.
26			210023-2	BALL BEARING 627DDW	1	PC.
28			421770-2	LABYRINTH RUBBER RING 22	1	PC.
29			688117-5	MAGNET SLEEVE	1	PC.
30		1	961011-9	* STOP RING E-4	1	PC.
		2	259039-2	* SELF LOCK 6	1	PC.
31			413076-2	BAFFLE PLATE	1	PC.
32			266259-1	TAPPING SCREW 4X60	2	PC.
33			344871-8	RETAINER	2	PC.
34			417237-6	INSULATION COVER	2	PC.
35			626526-0	FIELD 115V (OLD# 626521-0)	1	PC.
39			266256-7	TAPPING SCREW PT3X10	4	PC.
40			643760-7	BRUSH HOLDER (OLD# 643762-3 - N/L/A)	1	PC.
41		1	191978-9	A.C. CARBON BRUSH CB-318 2PC/SET (W/O ORIGIN)	1	SET
		2	194999-0	A.C. CARBON BRUSH CB-318 2PC/SET (W/ ORIGIN)	1	SET
		3	195396-3	A.C. CARBON BRUSH CB-336 2PC/SET (W/ ORIGIN)	1	SET
		4	196454-8	A.C. CARBON BRUSH CB-340 2PC/SET (W/ ORIGIN)	1	SET
42			265995-6	TAPPING SCREW 4X18	2	PC.
43			687063-9	CORD CLAMP	1	PC.
44			632999-7	SWITCH BLOCK	1	PC.
45			664064-4	CORD W/PLUG 2P-18-2.5, SJ	1	PC.
46		1	682566-8	CORD GUARD	1	PC.
		2	682559-5	CORD GUARD	1	PC.
47			651418-4	SWITCH ST115A-40	1	PC.
48			687113-0	COVER	1	PC.
50			158191-2	* REAR COVER COMPLETE	1	PC.
51			265995-6	TAPPING SCREW 4X18	1	PC.
52			631390-6	CONTROLLER	1	PC.

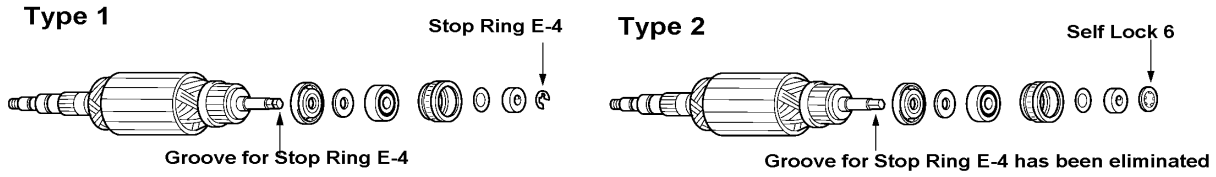
Item No.	Type	Sub	Part No.	Description (*see Service changes on the bottom)	Qty	Unit
53			417187-5	SWITCH LEVER	1	PC.
54			233071-4	COMPRESSION SPRING 4	1	PC.
55			643760-7	BRUSH HOLDER (OLD# 643762-3 - N/L/A)	1	PC.
56			417812-8	* MOTOR HOUSING	1	PC.
57			819720-3	MAKITA LABEL (OLD)	1	PC.
58			417813-6	* SWITCH KNOB	1	PC.
59			265999-8	TAPPING SCREW 4X25	4	PC.
100			654037-5	INSULATED TERMINAL RBV1.25-3	2	PC.
101			652037-9	P.H. SCREW M3.5X8	2	PC.
<u>ACCESSORIES</u>		- See catalogue or visit www.makita.ca for more optional accessories -				
A01			781203-2	WRENCH 13	1	PC.
A02			781206-6	WRENCH 19	1	PC.
A03			192985-5	SIDE HANDLE SET	1	SET
	INC.		152521-9	GRIP 36 COMPLETE	1	PC.
	INC.		415485-1	GRIP BASE	1	PC.
	INC.		921919-9	HEX. BOLT M8X110	1	PC.
A04			192986-3	COLLET CONE 1/4'	1	PC.
	INC.		763650-9	COLLET CONE 1/4' - N/A as individually	1	PC.
	INC.			Item No. 1		
			192987-1	COLLET CONE 1/8"(Optional)	1	PC.
A05			193141-0	WISE HOLDER SET (Optional)	1	PC.

SERVICE CHANGES

1. Changes on Armature Assy

Item No.	Description	Type 1	Type 2
23	Armature Assy 115V	515191-9 (N/L/A)	515211-9
30	Stop Ring/ Self Lock	961011-9	259039-2

Above parts are completely interchangeable as a set.



2. Changes on Motor Housing, Switch Knob and Rear Cover

Item No.	Description	Type 1	Type 2	Type 3
56	Motor Housing	152866-5 (N/A) (Complete w/ label)	153297-1 (N/L/A) (Complete w/ label)	417812-8 (without label)
58	Switch Knob	417188-3 (N/L/A)	417813-6	
50	Rear Cover	417185-9 (N/L/A)		158191-2 (Complete w/ label)

Above parts are completely interchangeable as a set.

Motor Housing & Switch Knob Type 1 → Type 2

